



**HORMA PUMPS  
(PTY) LTD**

**Pump Reconditioning and  
General Engineering**

**KBZ**

**SUBMERSIBLE DEWATERING PUMP**



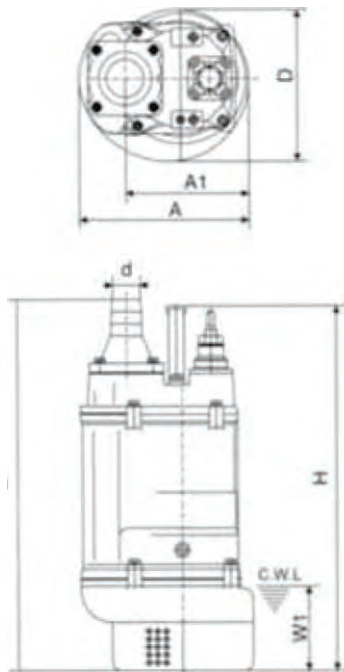
---

36 Plantation Road, Eastleigh, Edenvale • PO Box 383, Edenvale 1610  
Tel: 011 452 4300/1 • Fax: 011 452 4400

The body of motor and pump is made of rigid cast iron for long-lasting durability, Greatly Increased maximum submersion depth due to mechanical seal resistant to high pressure (0.5Mpa)  
 Semi-open impeller made of high chrome alloy match with wear plate (ductile iron) achieves superior durability.  
 Effective motor cooling due to discharge channel cast as part of the motor housing. Space economy by a top outlet  
 Discharge 50mm (2") to 150mm (6"), motor 1,5kw (2HP) to 11Kw(15HP).  
 Hermetically sealed motor equipped build-in thermal protection.

## Specification

- Capacity: up to 147 m<sup>3</sup>/h
- Head: up to 51 meters
- Power: 1.5Kw (2HP) to 11Kw (15HP)
- Power supply: Three phase 380 V ± 10%, 50Hz
- Insulation class: F
- Protection class: Ip68
- Cable: Length 8m
- Water temperature: up to 40C
- Max .water depth: 50m

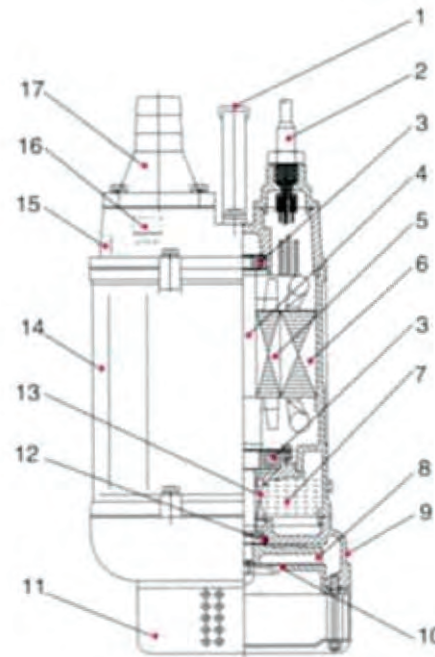


## Application

- Civil engineering
- Mines, quarries, coal ore & slurries
- Sewage treatment plants
- General pumping purposes

## Special features on request

- Other voltages

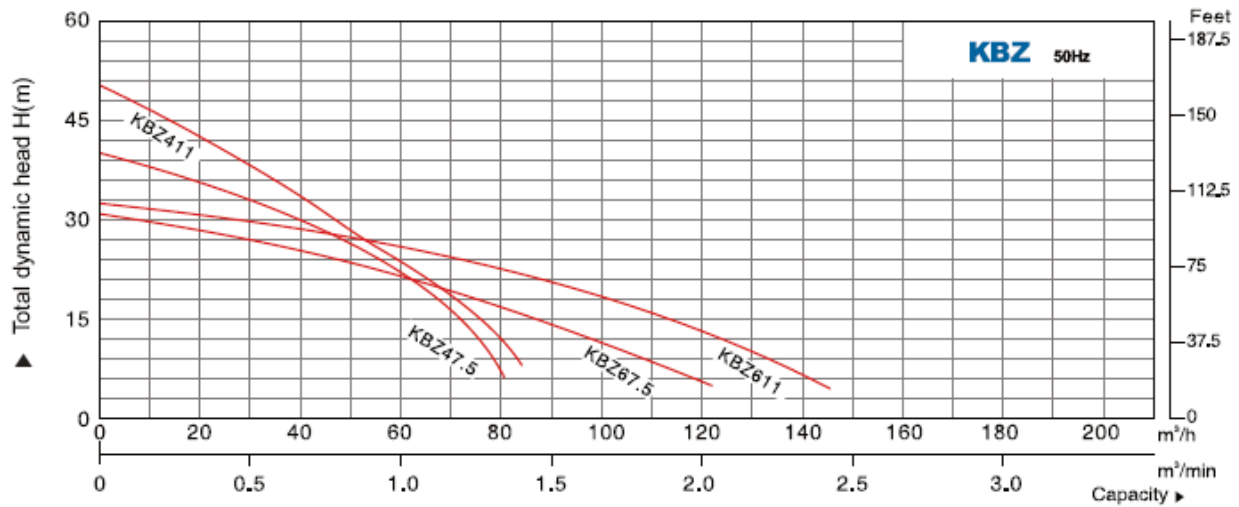
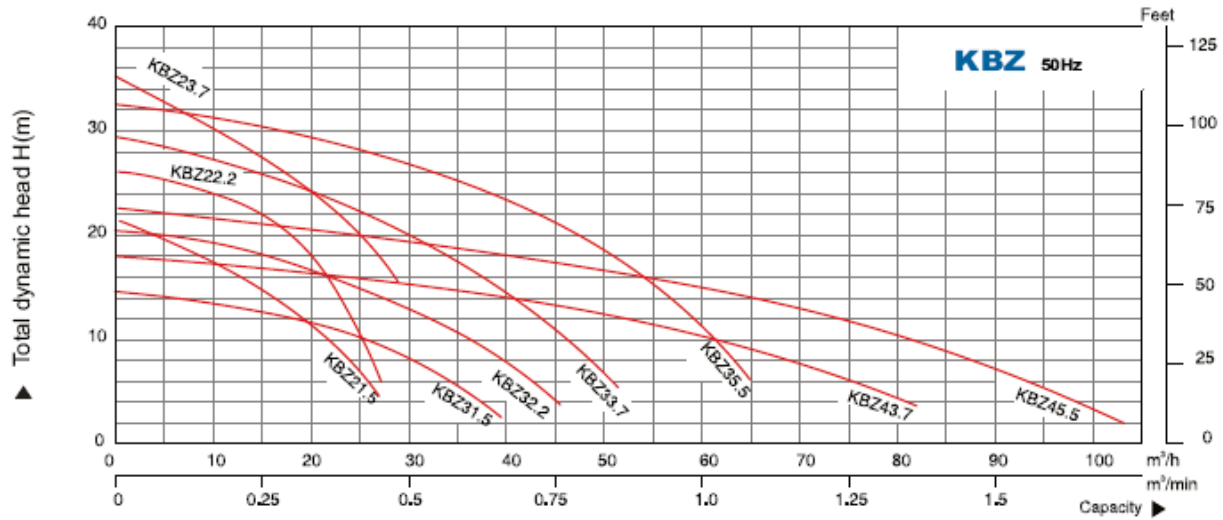


Item No.	Part Name	Material	Item No.	Part name	Material
1	Handle	Rubber & steel	10	End Plate	Ductile iron
2	Cable	2PNCT-F	11	Filter	Steel
3	Bearing	Belt Bearing	12	Oil seal bracket	
4	Shaft	AISI420SS	13	Mechanical seal	Sic-sic/Sic-sic
5	Rotor		14	Motor body	Cast iron
6	Stator		15	Upper cover	Cast iron
7	Lube oil		16	Motor protector	
8	Impeller	High chrome alloy or ductile Iron	17	Hose coupling	Cast iron
9	Pump body	Cast iron			

Modal	d	A	A1	B	D	H	W1
KBZ21.5	50	235	173	517	216	486	120
KBZ31.5	80	235	173	517	216	485	120
KBZ22.2	50	235	173	517	218	486	120
KBZ32.2	80	235	173	517	218	486	120
KBZ23.7	50	283	208	828	252	638	150
KBZ33.7	80	283	208	628	252	638	150
KBZ43.7	100	283	208	642	252	638	150
KBZ35.5	80	306	218	671	259	688	150
KBZ45.5	100	306	218	686	259	688	150
KBZ47.5	100	330	240	76.4	314	676	190
KBZ411	100	373	255	807	350	695	190
KBZ67.5	150	330	240	790	314	676	190
KBZ611	150	373	255	807	350	695	190

# KBZ SUBMERSIBLE DEWATERING PUMP

## Performance curves



Model(50Hz)	Outlet	Motor power		Max head	Max capacity		Impller passage	N.W	G.W	Packing dimension
	mm	Kw	HP	m	m <sup>3</sup> /h	m <sup>3</sup> /min	mm	Kg	Kg	mm
KBZ21.5	50	1.5	2	22	27.0	0.45	8.5	34.5	37.5	590X290X250
KBZ22.2	50	2.2	3	26.0	27.0	0.45	8.5	36	39	590 X 290 X 250
KBZ23.7	50	3.7	5	34.0	29.0	0.48	8.5	60	65	684 X 334 X 397
KBZ31.5	80	1.5	2	14.5	40.0	0.67	8.5	34.5	37	590 X 290X250
KBZ32.2	80	2.2	3	21.0	50.0	0.83	8.5	36	39	590X290X250
KBZ33.7	80	3.7	5	29.0	55.0	0.92	8.5	60	65	684X344X397
KBZ35.5	80	5.5	7.5	32.0	70.0	1.17	8.5	77	84	731X366X405
KBZ43.7	100	3.7	5	18.0	90.0	1.50	8.5	61	66	702X344X397
KBZ45.5	100	5.5	7.5	23.0	105.0	1.75	8.5	78	85	746X366X405
KBZ47.5	100	7.5	10	40.0	84.0	1.40	11.5	105	114	824X390X459
KBZ411	100	11	15	48.5	86.4	1.44	11.5	130	140	867X430X495
KBZ67.5	150	7.5	10	31.0	124.8	2.08	19.5	106	114	850X390X459
KBZ611	150	11	15	32.0	147.0	2.45	19.5	133	143	867X430X495



**HORMA PUMPS  
(PTY) LTD**

**Pump Reconditioning and  
General Engineering**

---

36 Plantation Road, Eastleigh, Edenvale • PO Box 383, Edenvale 1610  
Tel: 011 452 4300/1 • Fax: 011 452 4400