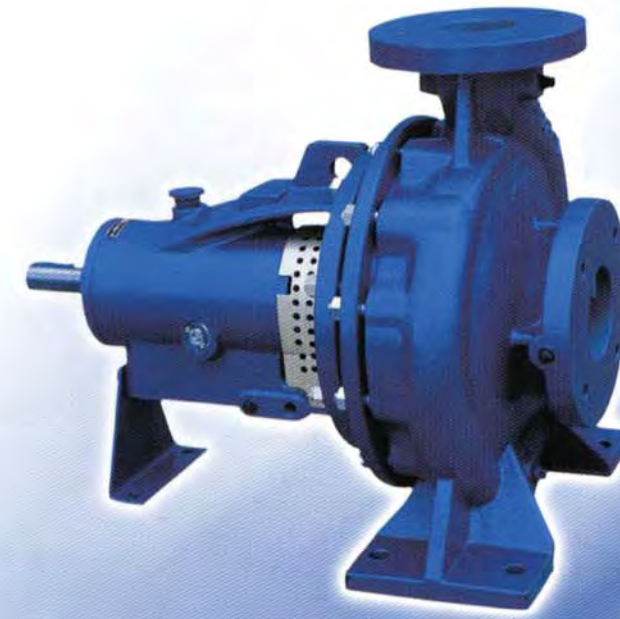


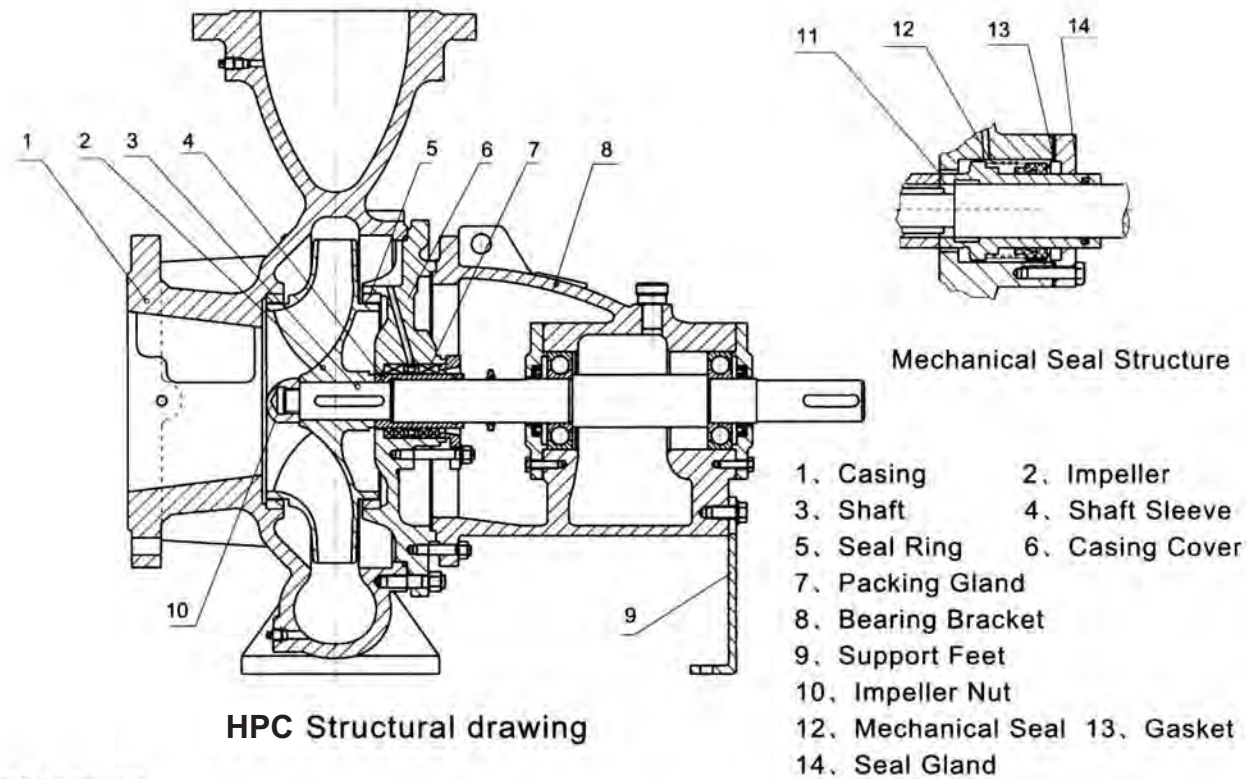
HPC

Series Single Stage Suction Centrifugal Pumps

The Outline Dimensions

HPC Type	Shaft Dimensions	Pump Dimensions				Pump Foot Dimensions										Shaft Face					
		φ1	φ2	a	f	h1	h2	b	c	m1	m2	n1	n2	φs1	n3	φs2	w	d	l	l	u
32/13	25	50	32	80	360	112	140	50	14	100	70	190	140	14	100	14	267	24	50	27	8
32/16	25	50	32	80	360	132	160	50	14	100	70	240	190	14	100	14	267	24	50	27	8
32/20	25	50	32	80	360	160	180	50	14	100	70	240	190	14	110	14	267	24	50	27	8
32/26	25	50	32	100	360	180	225	65	14	125	95	320	250	14	110	14	267	24	50	27	8
40/13	25	65	40	80	360	112	140	50	14	100	70	210	160	14	100	14	267	24	50	27	8
40/16	25	65	40	80	360	132	160	50	14	100	70	240	190	14	100	14	267	24	50	27	8
40/20	25	65	40	100	360	160	180	50	14	100	70	265	212	14	110	14	267	24	50	27	8
40/26	25	65	40	100	360	180	225	65	14	125	95	320	250	14	110	14	267	24	50	27	8
40/32	35	65	40	125	470	200	225	65	14	125	95	345	280	14	110	14	342	32	80	35	10
50/13	25	65	50	100	360	132	160	50	14	100	70	240	190	14	100	14	267	24	50	27	8
50/16	25	65	50	100	360	160	180	50	14	100	70	265	212	14	110	14	267	24	50	27	8
50/20	25	65	50	100	360	160	200	50	14	100	70	265	212	14	110	14	267	24	50	27	8
50/26	25	65	50	100	360	180	225	65	14	125	95	320	250	14	110	14	267	24	50	27	8
50/26G	35A	65	50	100	454	180	225	65	14	125	95	320	250	14	110	14	327	32	80	35	10
50/32	35	65	50	125	470	225	280	65	16	125	95	345	280	14	110	14	342	32	80	35	10
65/13	25	80	65	100	360	160	180	65	14	125	95	280	212	14	110	14	267	24	50	27	8
65/16	25	80	65	100	360	160	200	65	14	125	95	280	212	14	110	14	267	24	50	27	8
65/20	25	80	65	100	360	180	225	65	14	125	95	320	250	14	110	14	267	24	50	27	8
65/20G	35A	80	65	100	454	180	225	65	14	125	95	320	250	14	110	14	328	32	80	35	10
65/26	35	80	65	100	470	200	250	80	16	160	120	360	280	17.5	110	14	342	32	80	35	10
65/32	35	80	65	125	470	225	280	80	16	160	120	400	315	17.5	110	14	342	32	80	35	10
80/16	25	100	80	125	360	180	225	65	14	125	95	320	250	14	110	14	267	24	50	27	8
80/16G	35A	100	80	125	454	180	225	65	14	125	95	320	250	14	110	14	326	32	80	35	10
80/20	35	100	80	125	470	180	250	65	14	125	95	345	280	14	110	14	342	32	80	35	10
80/26	35	100	80	125	470	200	280	80	16	160	120	400	315	17.5	110	14	342	32	80	35	10
80/32	35	100	80	125	470	250	315	80	16	160	120	400	315	17.5	110	14	342	32	80	35	10
80/40	45	100	80	125	532	280	355	85	16	160	120	440	340	17.5	110	14	368	42	110	45	12
100/20	35	125	100	125	470	200	280	80	16	160	120	360	280	17.5	110	14	342	32	80	35	10
100/26	35	125	100	140	470	225	280	80	16	160	120	400	315	17.5	110	14	342	32	80	35	10
100/26G	45A	125	100	140	520	225	280	80	16	160	120	400	315	17.5	110	14	363	42	110	45	12
100/32	35	125	100	140	470	250	315	80	16	160	120	400	315	17.5	110	14	342	32	80	35	10
100/40	45	125	100	140	530	280	355	100	18	200	150	500	400	23	110	14	370	42	110	45	12
125/20	35	150	125	140	470	250	315	80	16	160	120	400	315	17.5	110	14	342	32	80	35	10
125/26	35	150	125	140	470	250	355	80	16	160	120	400	315	17.5	110	14	342	32	80	35	10
125/32	45	150	125	140	530	280	355	100	18	200	150	500	400	23	110	14	370	42	110	45	12
125/40	45	150	125	140	530	315	400	100	18	200	150	500	400	23	110	14	370	42	110	45	12
125/50	60	150	125	180	680	375	500	100	24	200	150	550	450	24	140	15	500	55	110	59	16
150/20	35G	200	150	160	495	280	400	100	20	200	150	550	450	23	110	14	367	32	80	35	10
150/26	45	200	150	160	530	250	355	100	18	200	150	450	350	23	110	14	370	42	110	45	12
150/32	45	200	150	160	530	280	400	100	18	200	150	550	450	23	110	14	370	42	110	45	12
150/40	45	200	150	160	530	315	450	100	18	200	150	550	450	23	110	14	370	42	110	45	12
150/50	60	200	150	180	670	375	500	100	24	200	150	550	450	24	140	15	500	55	110	59	16
200/26	45	250	200	180	546	280	400	100	25	200	150	550	450	26	110	15	389	42	110	45	12
200/32	55	250	200	200	670	355	450	100	20	200	150	550	450	24	110	15	500	48	110	52	14
200/40	55	250	200	200	670	355	500	100	20	200	150	550	450	24	110	15	500	48	110	52	14
200/50	75	250	200	240	783	425	545	160	30	300	240	720	600	27	140	23	534	70	140	75	20
250/50	75	300	250	240	783	425	545	160	30	300	240	720	600	27	140	23	534	70	140	75	20
300/40	75	350	300	280	783	500	600	150	40	300	200	800	660	27	140	23	550	70	140	74.5	20





Application.

HPC series pump is often used to carry clean water or liquids whose physical and chemical property is similar to clean water. It also can be used in water supplying and drainage in the area of industry, agriculture and mineral enterprise, fire protection and air system.

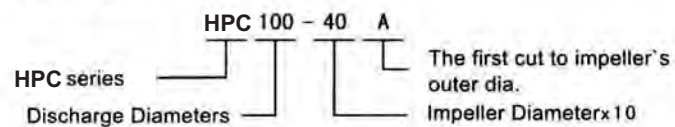
Structural design.

HPC series pump is the single stage single suction back exposed centrifugal pump whose main outline dimension and gland structural dimension accord to the DIN24255 standard. It is driven directly by motor through stretch coupling. The bore on the flange can be drilled according to GB4216-84(PN16) or ISO, BS and ANSI standard.

Shaft Seal.

Non-refrigerant packing gland or non-balance one-side face mechanical seal, according to DIN24960 standard, throwing off the subject of rolling direction.

Type Description



Performance

Discharge DN	32~300mm
Capacity Q	Max1200m ³ /h
Head H	Max150m
Working Pressure P	Max1.6Mpa
Working Temperature T	Max105°C
Max.Speed: 3500r/min	Diameter of impeller is to be reduced

In the exploited process, our technician absorbed merits of domestic and oversea centrifugal pumps, which make it have excellent performance.

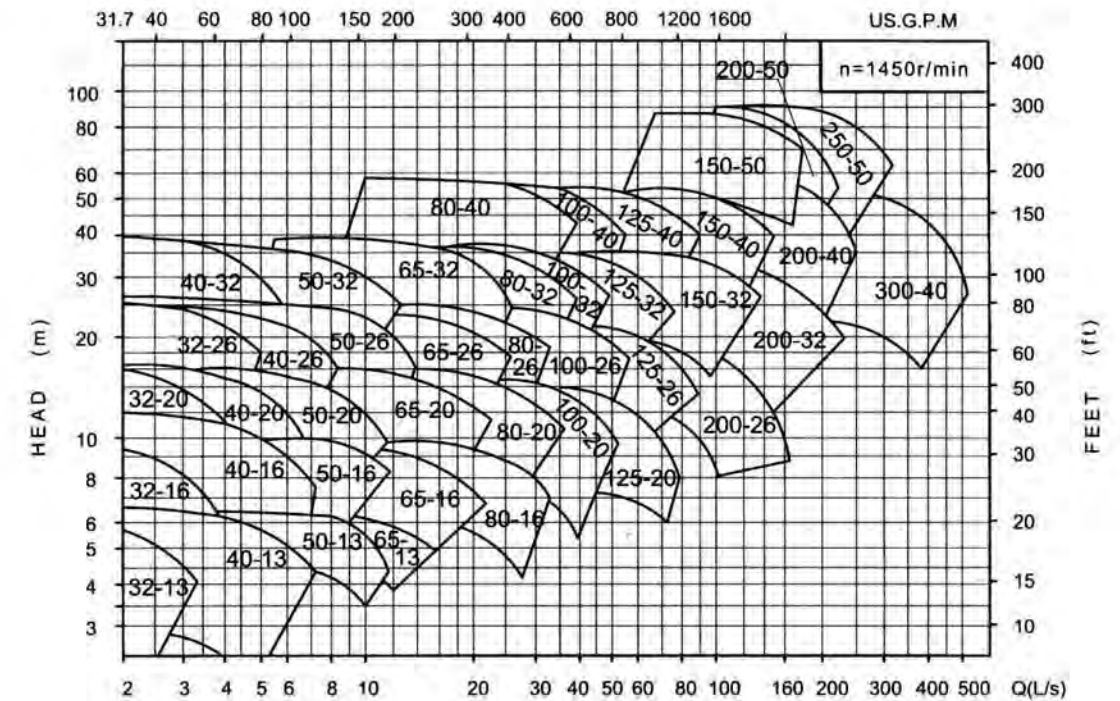
Characters.

- (1). Simple structure, reliable performance, light weight, power-saving, convenient repair, small volume operating.
- (2). Broad universal character, more than 60 specs, 6 variety of shafts, bearing, shaft, shaft sleeve, shaft seal, impeller of the same specs are interchangeable.
- (3). Pump casing, impeller hydraulic mode are designed perfectly by computer with high efficiency and reliable performance.

Material

Part Name	Materials Brand
Pump Casing	HT250
Casing Cover	QT450-10
Impeller	HT250
	ZCuAL10Fe3
	OCr18Ni9
	OCr17Ni12Mo2
Shaft	2Cr13
Shaft Sleeve	2Cr13
Casing Ring	HT250
	ZCuSn5Pb5Zn5

n=1450r/min



n=2900r/min

